

NetWay8G

8-Port Managed PoE+ Midspan Injector

Description

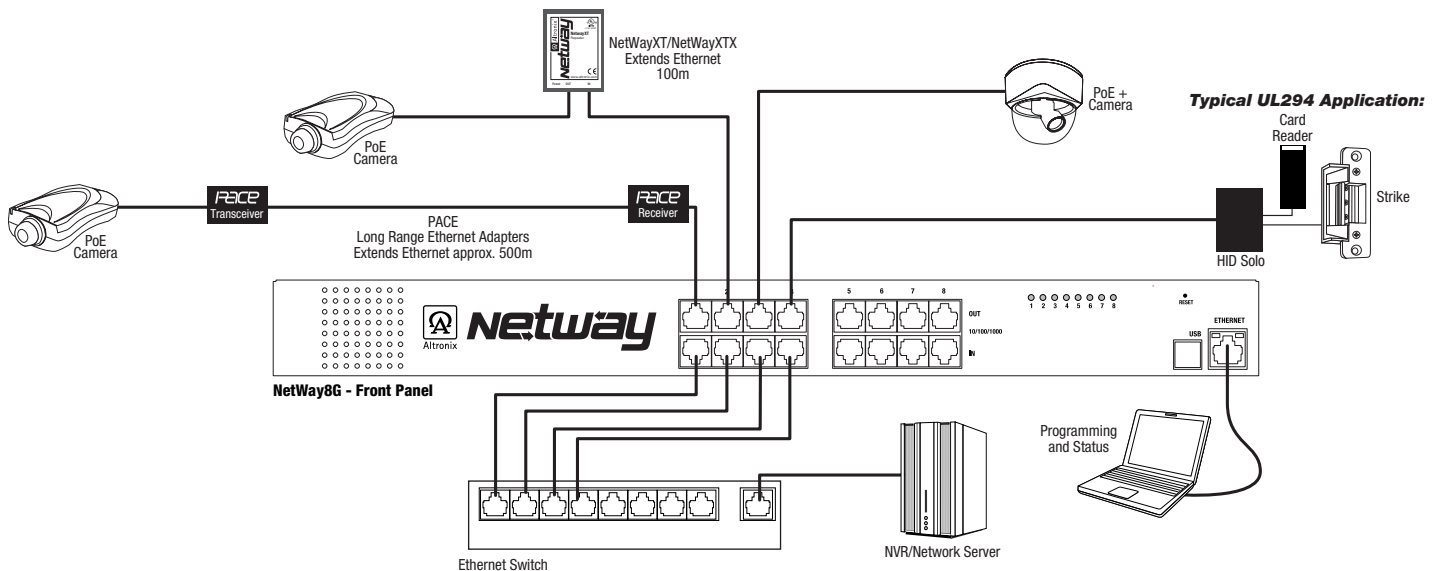
Altronix NetWay8G is an 8-port networked Managed Midspan in a 1U rack enclosure. It provides PoE/PoE+ (up to 30W) power per port, and passes data at 10/100/1000 mbps at distances up to 100m. Ethernet network distance can be extended up to 1000m using Altronix NetwayXT or NetwayXTX repeaters or Altronix Pace series Ethernet extenders. The unit incorporates a battery charger for installations requiring battery backup. Typical applications include Ethernet cameras and edge devices. POE power management and monitoring is controlled through the unit's LinQ™ - based technology networked management port.



Key Features

- IEEE 802.3af (15W) and IEEE 802.3at (30W) compliant.
- Eight (8) ports for cameras/edge devices over ethernet.
- Speed: 10/100/1000 Mbps.
- 30W maximum power per port.
- Port status LEDs.
- Auto detection and protection of legacy non-PoE cameras/devices.
- Programmable PoE shutdown for each port. Utilized to reset cameras/edge devices.
- Local and/or remote access to critical information via LAN/WAN.
- Real-time power diagnostics with e-mail and SNMP trap message notifications.
- Event Log tracks history.
- Built-in IP networked management allows for remote camera reset and monitoring.
- Built-in battery charger.
- Lifetime Warranty / Made in the U.S.A.

Typical Application



NetWay8G

8-Port Managed PoE+ Midspan Injector

Specifications

Input

115VAC 60Hz, 3A or 230VAC 50Hz, 1.8A.

Power

Unit supplies PoE output voltage (55V) and up to 30W max. full power per port.

Total power: 240W.

Ethernet

Connectivity: RJ45, auto-crossover.

Wire type: 4-pair CAT5e or better structured cable.

Distance: up to 100m.

Speed: 10/100/1000 BaseT, half/full duplex, auto negotiation.

Indicators (LED)

Yellow and Green LED (by RJ45 jack):

IP Link status, 10/100/1000 Base-T/active.

Green LED

Port status.

Physical and Environmental

Dimensions (W x L x H)

1.625" x 19.125" x 8.5" (41.275mm x 486mm x 216mm).

Weight (approx.)

Product Weight: 6.17 lbs. (2.8 kg).

Shipping Weight: 7.5 lbs. (3.4 kg).

Temperature

Operating: -20°C to 40°C (-4°F to 104°F).

Storage: -20° to 70°C (-4°F to 158°F).

Relative Humidity

85% +/-5%.

Operating Altitude:

-304.8 to 3048m (-1000 to 10,000 ft.).

Accessories:

Repeaters:



NetWayXT

NetWayXT

PoE repeater module.
Extends data (video) for 100m.



NetWayXTX

NetWayXTX

PoE+ repeater module.
Extends data (video) for 100m.

Adapters:



Pace
Receivers



Pace
Transceivers

Pace PRM Series Receivers and Pace 1PTM & Pace1ST Transceivers

Long range ethernet adapters transmit data at 100mbps full duplex and power via a CAT5e or higher cable.

Battery Backup:



RE2

RE2

Rack Mount Battery Enclosure accommodates up to four (4) 12VDC/7AH batteries